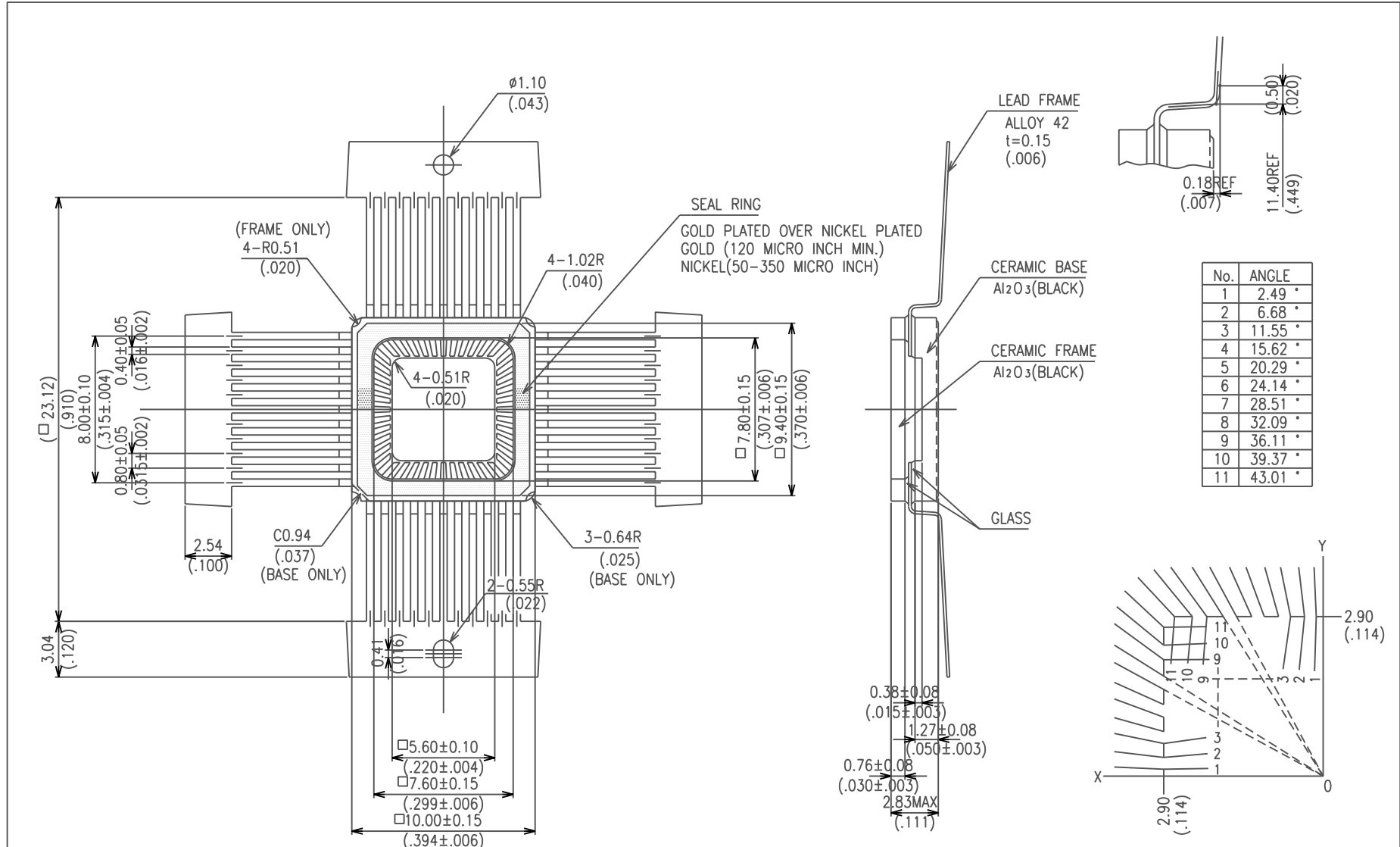


SSM P/N CQZ04405



MODIFICATIONS				NAME	TOLERANCES:	DRAWN	CHECKED
				44LD QUAD S/R 'Z'(5.60SQ)	UNLESS OTHERWISE SPECIFIED		
				SCALE	MATERIAL	APPROVED	DATE
△ CHANGED TITLE FROM (7.24SQ) TO (5.60SQ)				5 : 1			NOV.20'97
— NEW ISSUE DRAWING							NOV.20'97
C H A N G E				DATE	DRAWN	CHECKED	APPROVED
				KYOCERA CORPORATION	KYOTO JAPAN	DWG No. QC-044343-WZ △	

