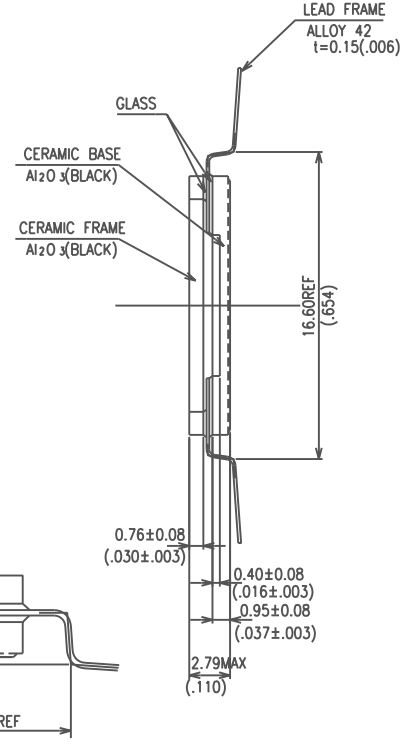
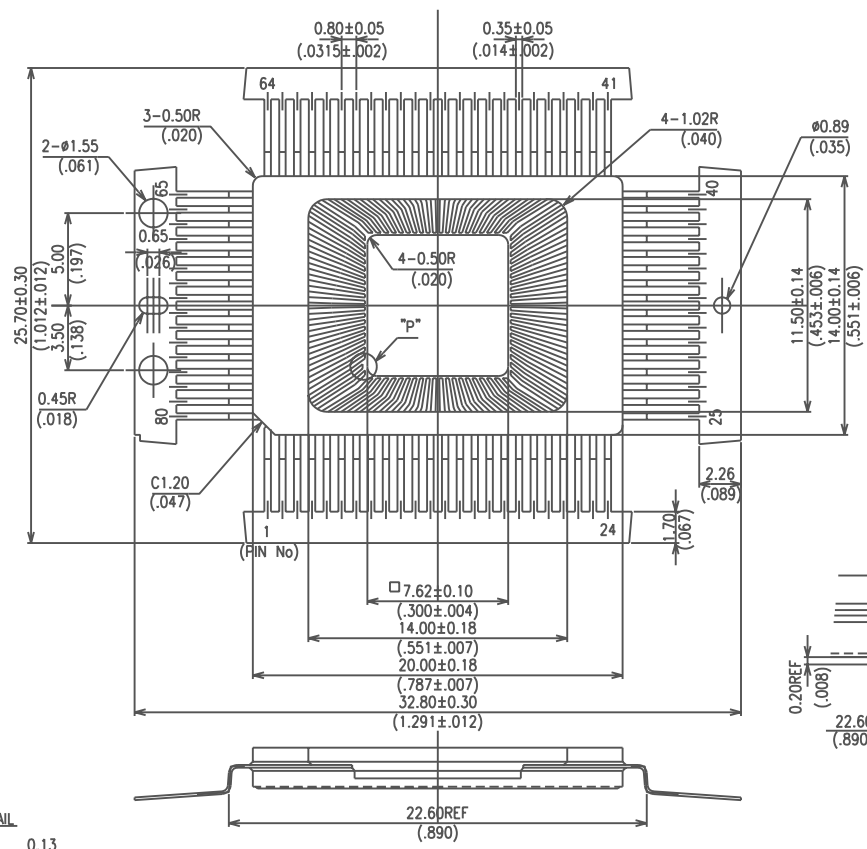
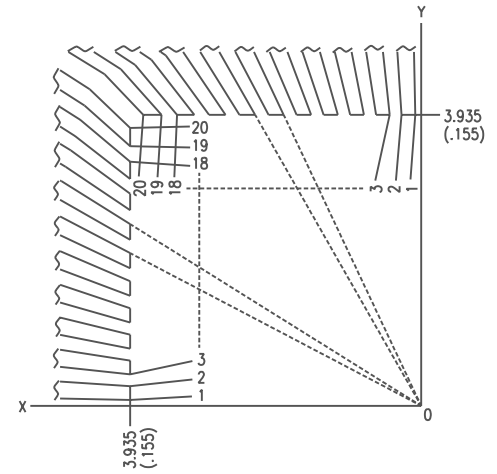
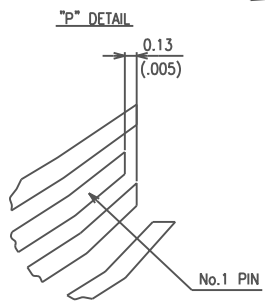


SSM P/N CQZ08005



No.	ANGLE
1	1.166°
2	3.850°
3	6.164°
4	8.823°
5	11.115°
6	13.725°
7	15.976°
8	18.528°
9	20.708°
10	23.182°
11	25.289°
12	27.680°
13	29.701°
14	31.982°
15	33.919°
16	36.088°
17	37.932°
18	39.990°
19	41.733°
20	43.680°



MODIFICATIONS	NAME	TOLERANCES:	DRAWN	CHECKED
	80LD QUAD K-PACK'Z'(7.62SQ)			
	SCALE		APPROVED	DATE
	5 : 1			OCT.03'00
	CHANGE		DWG No. QC-080380-WZ	
	DATE		KYOTO JAPAN	
	DRAWN		KYOCERA CORPORATION	
	CHECKED			
	APPROVED			



www.spectrum-semi.com Phone: 408.435.5555 Fax: 408.435.8226