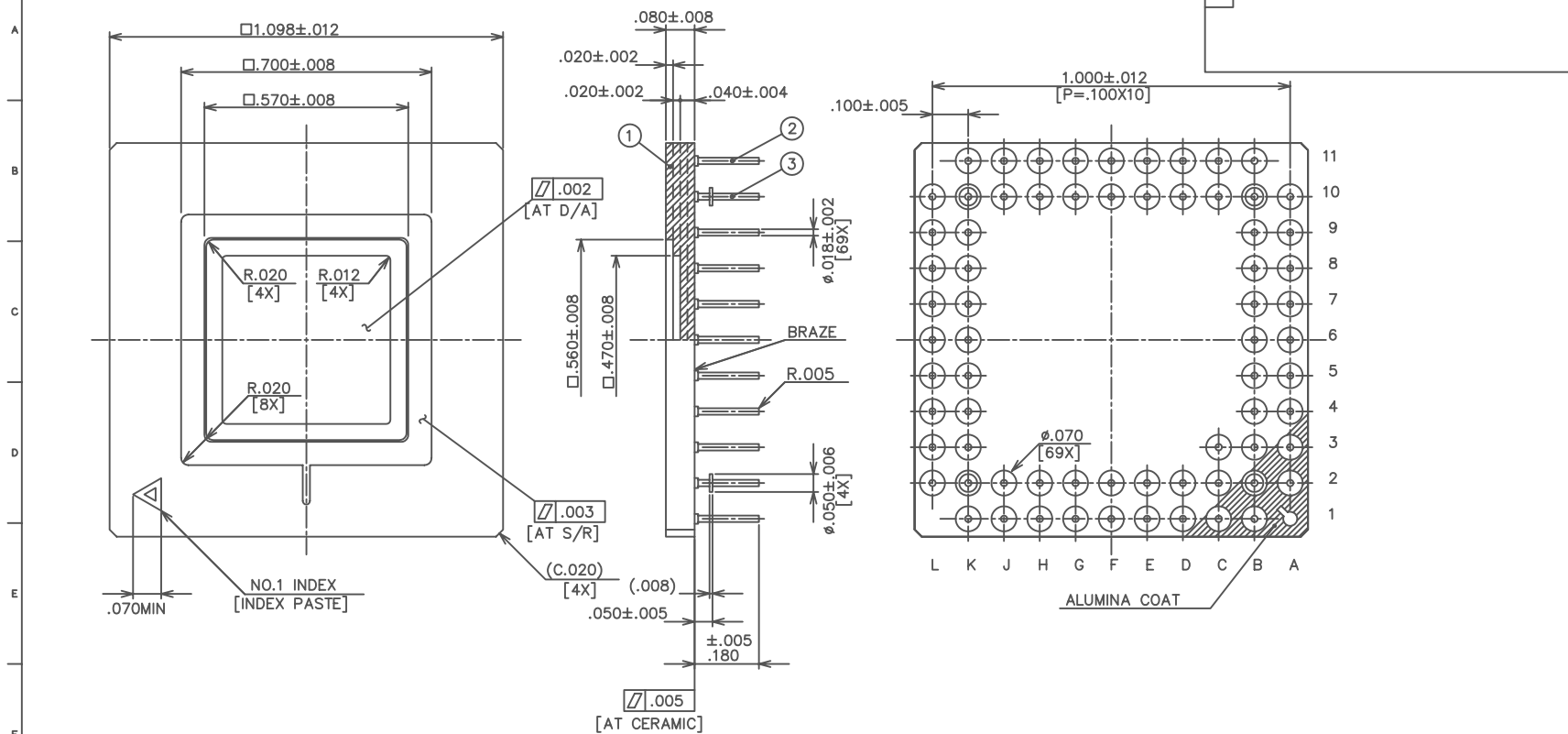


SSM P/N CPG06863

NTK

LATEST REVISION'S DESCRIPTION

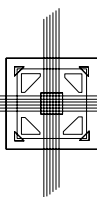


- NOTES:
1. GOLD PLATE 60~225? INCHES OVER
80?~ 350? INCHES NICKEL.
 2. NO LEAD TO BE ELECTRICALLY CONNECTED TO THE DIE ATTACH.
SEAL RING ISOLATED.
 3. LEAD RESISTANCE:
PAD NO.1,9,18,28,35,43,52,60 ---200m? MAX.
ALL OTHER ---1000m? MAX.

3	STAND OFF PIN	KOVAR			
2	PIN	KOVAR			
1	CERAMIC	BLACK ALUMINA			
Item	Name	Material	Description	Rev.	Description
UNLESS OTHERWISE SPECIFIED			DRAWN	Y.SUZUKI	NTK
TOLERANCES: $\pm 1\%$			CHECKED	T.NOMURA	NGK SPARK PLUG CO., LTD.
CUSTOMER			APPROVED	T.NOMURA	TITLE
SPECTRUM			UNIT	MM INCH	69 PIN GRID ARRAY
DWG NO.			SCALE		DWG NO.
					IPK69F1-8510D

MODIFIED DWG NO.

PART NO. SHEET 1 OF 3



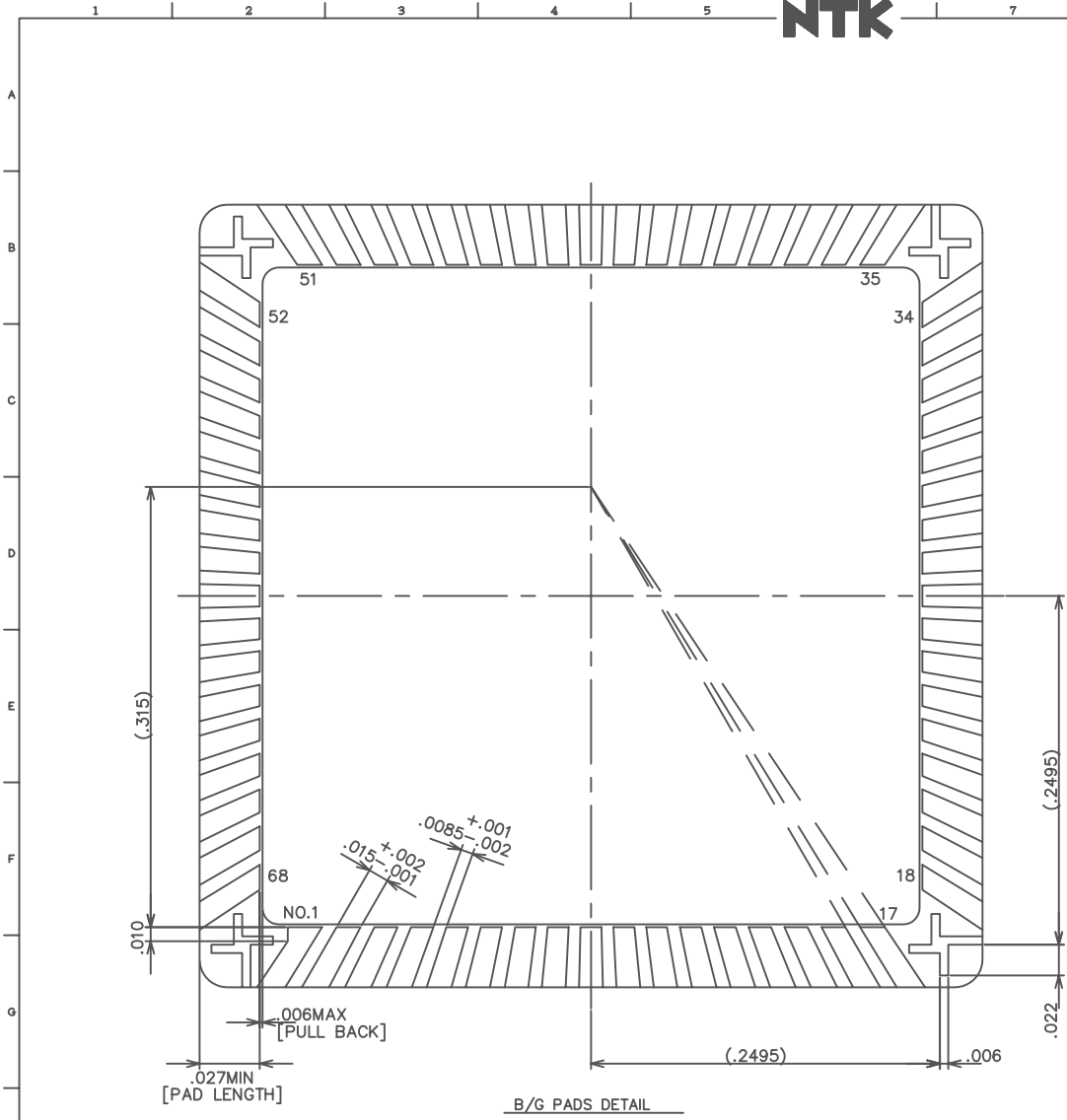
SPECTRUM
SEMICONDUCTOR MATERIALS, INC.

www.spectrum-semi.com Phone: 408-435-5555 Fax: 408-435-8226

SSM P/N CPG06863

NTK

LATEST REVISION'S DESCRIPTION	



CONNECTION TABLE

PAD	PIN	PAD	PIN	PAD	PIN	PAD	PIN
1	B2	18	K2	35	K10	52	B10
2	B1	19	L2	36	K11	53	A10
3	C2,C3	20	K3	37	J10	54	B9
4	C1	21	L3	38	J11	55	A9
5	D2	22	K4	39	H10	56	B8
6	D1	23	L4	40	H11	57	A8
7	E2	24	K5	41	G10	58	B7
8	E1	25	L5	42	G11	59	A7
9	F2	26	K6	43	F10	60	B6
10	F1	27	L6	44	F11	61	A6
11	G2	28	K7	45	E10	62	B5
12	G1	29	L7	46	E11	63	A5
13	H2	30	K8	47	D10	64	B4
14	H1	31	L8	48	D11	65	A4
15	J2	32	K9	49	C10	66	B3
16	J1	33	L9	50	C11	67	A3
17	K1	34	L10	51	B11	68	A2

B/G PADS DETAIL

MODIFIED
DWG NO.

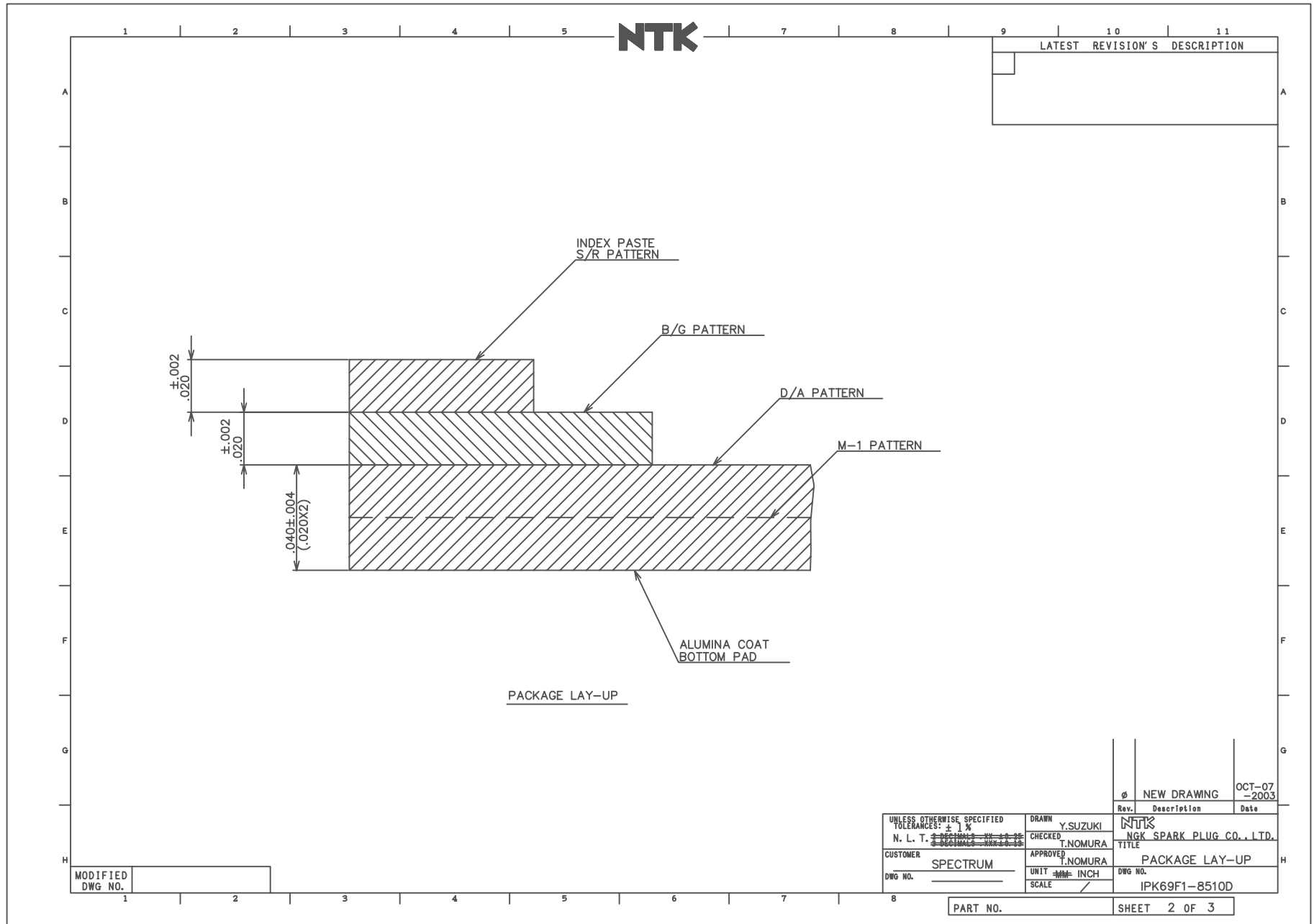
UNLESS OTHERWISE SPECIFIED TOLERANCES: ± 1 % N. L. T. SEE DRAWING	DRAWN	Y.SUZUKI	NTK NGK SPARK PLUG CO., LTD. TITLE CONNECTION TABLE & B/G PADS DETAIL
	CHECKED	T.NOMURA	
CUSTOMER	APPROVED	T.NOMURA	DWG NO. IPK69F1-8510D
SPECTRUM	UNIT	MM INCH	
DWG NO.	SCALE	1:1	

NEW DRAWING OCT-07-2003
Rev. Description Date

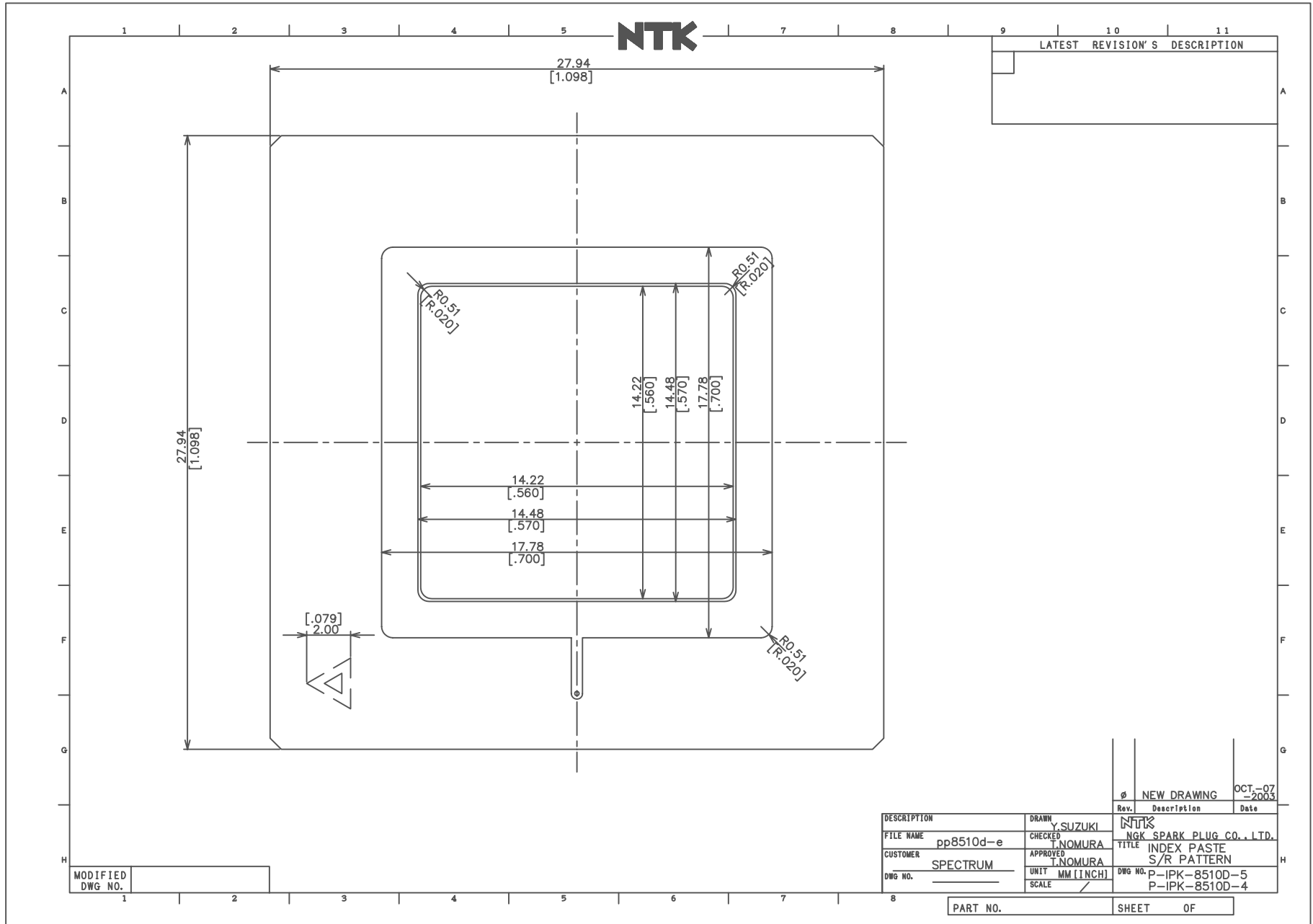
PART NO. SHEET 3 OF 3



SSM P/N CPG06863

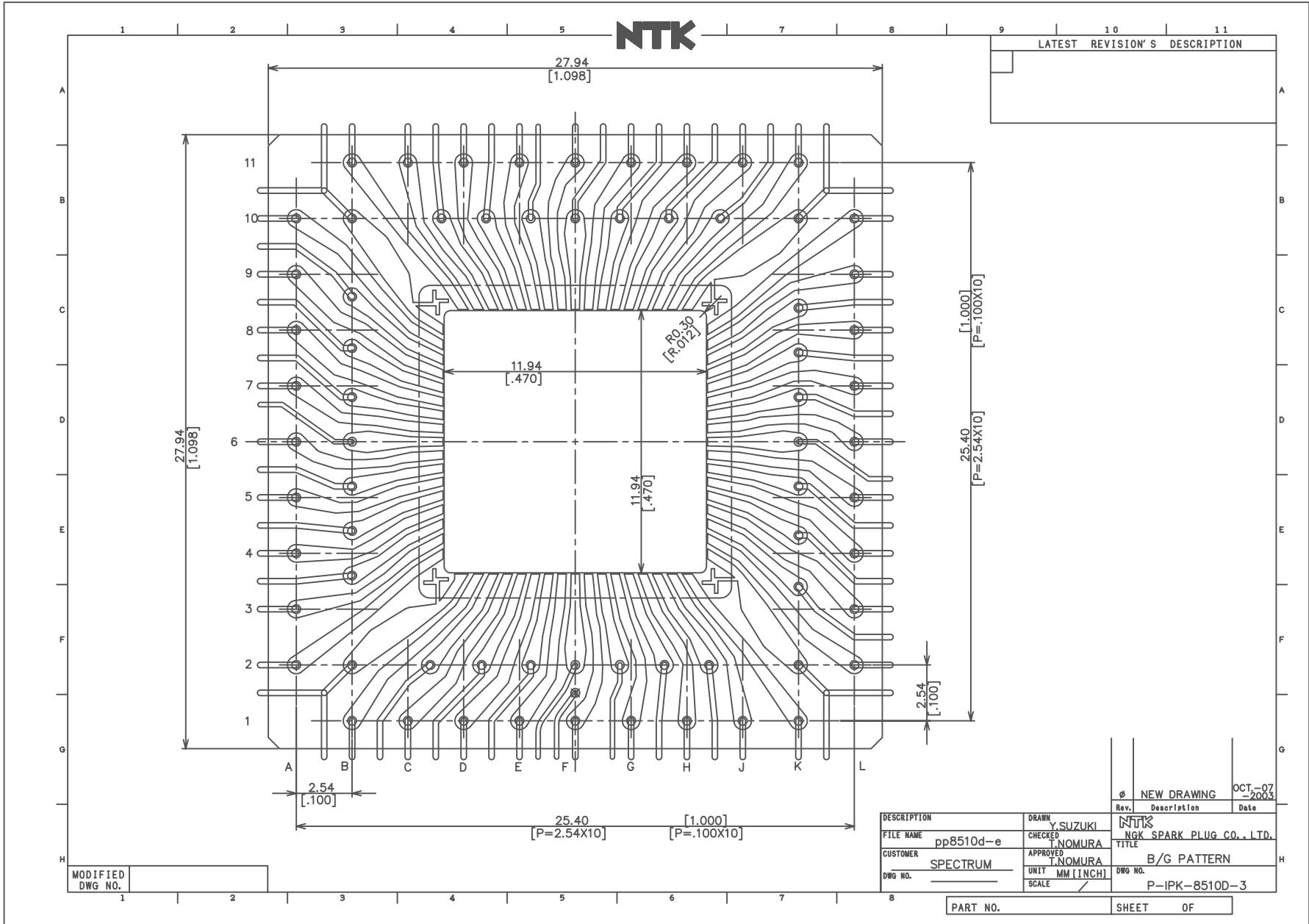


SSM P/N CPG06863

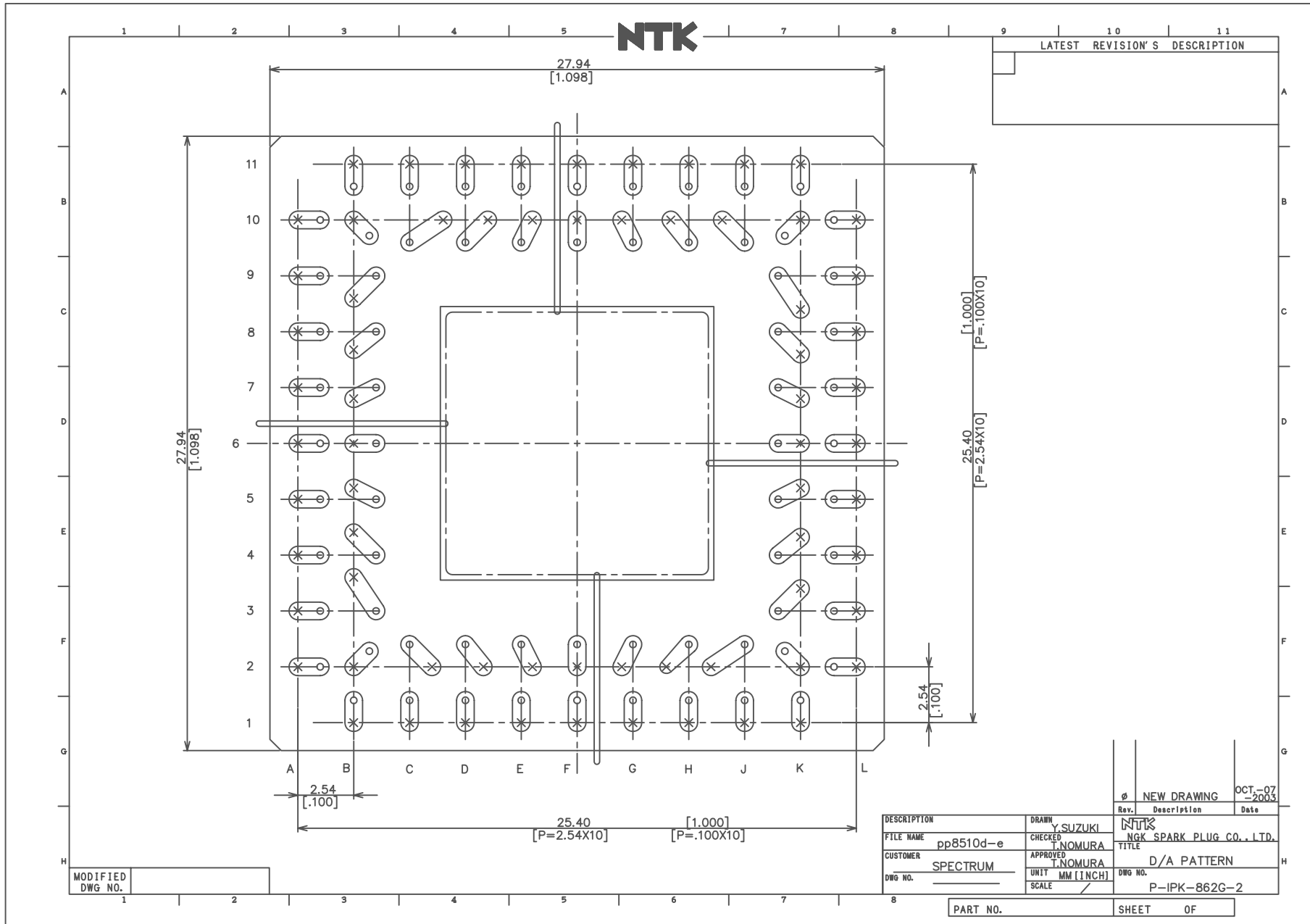


SSM P/N CPG06863

NTK



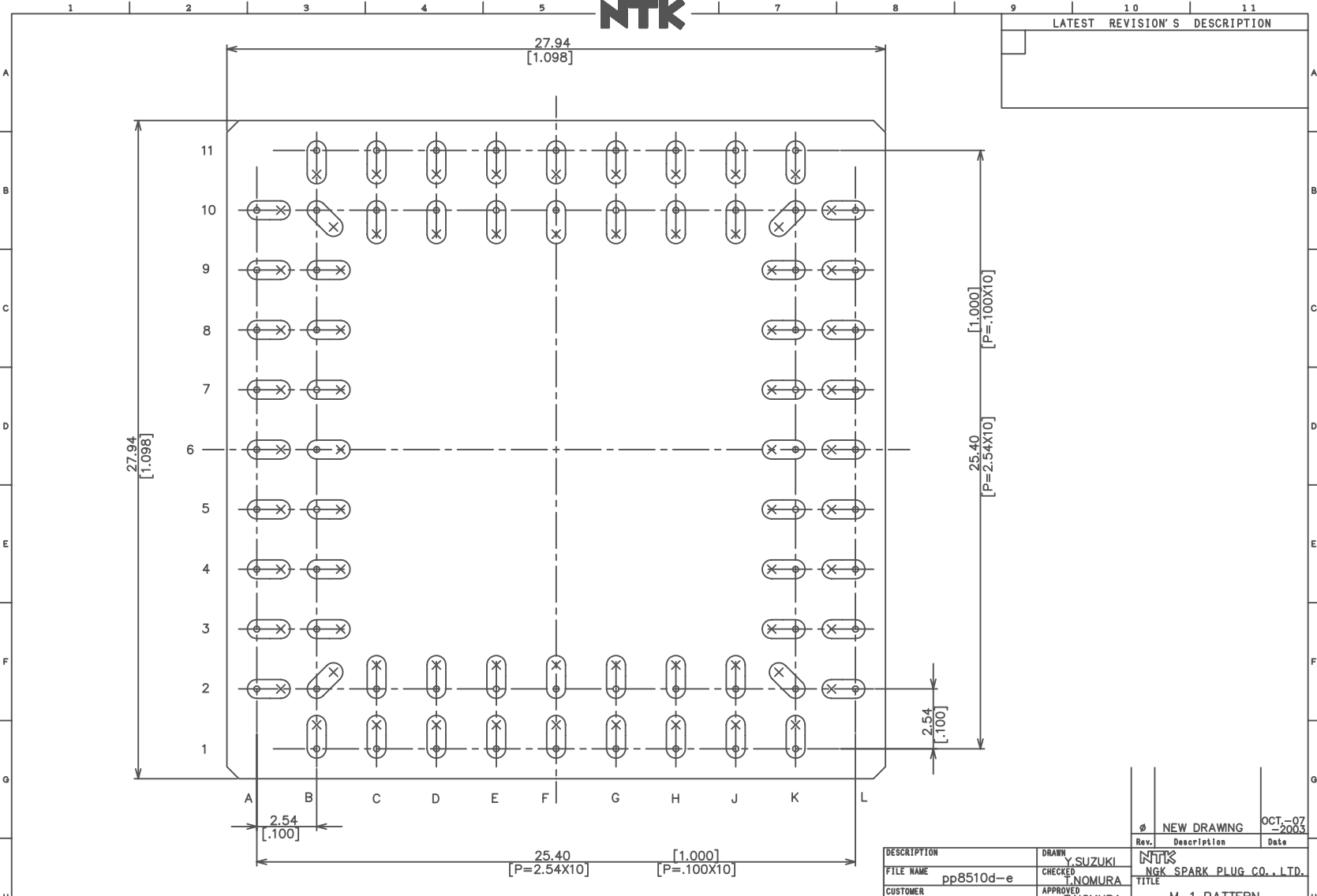
SSM P/N CPG06863



SSM P/N CPG06863

NTK

LATEST REVISION'S DESCRIPTION		



MODIFIED DWG NO.

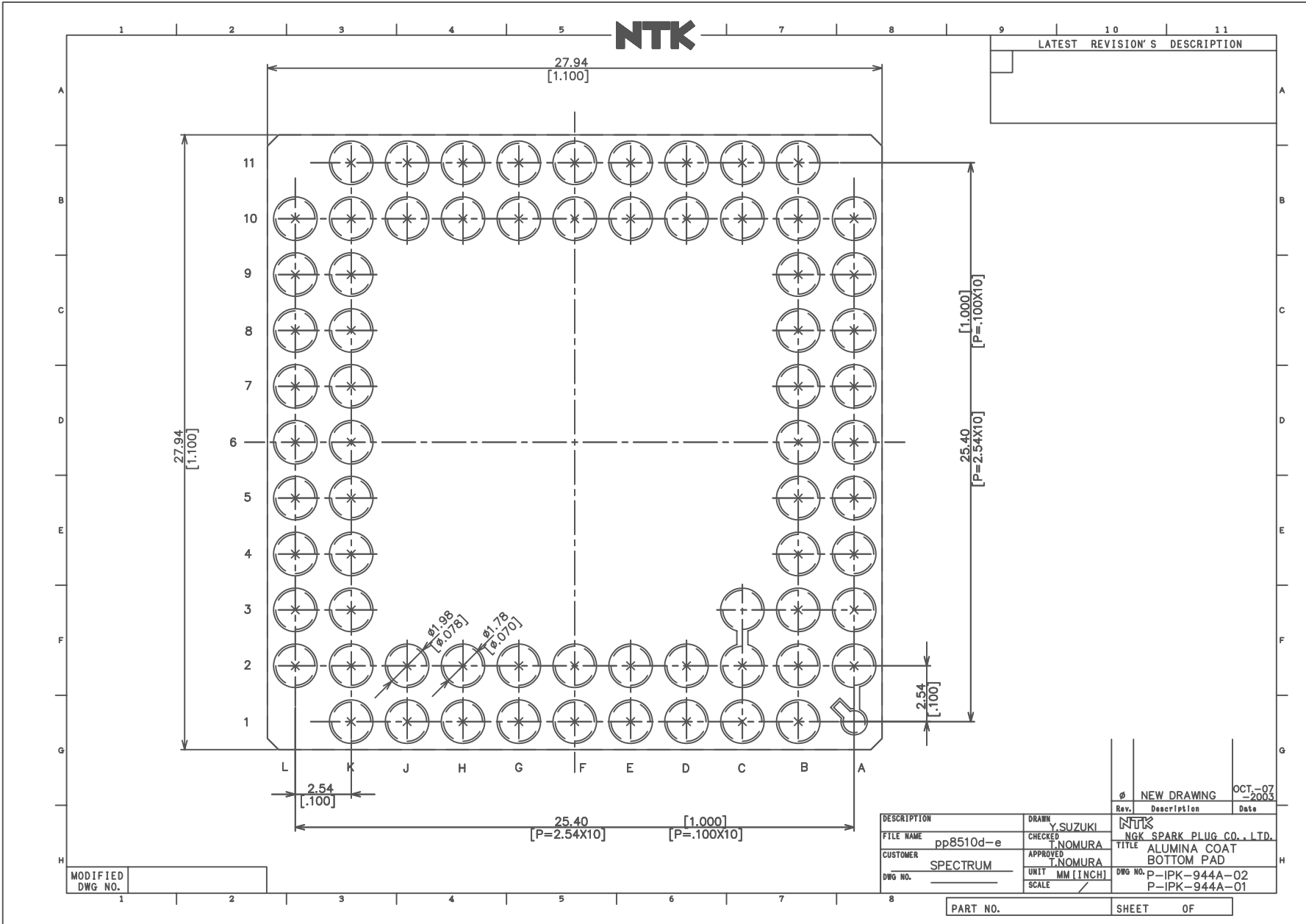
DESCRIPTION	DRAWN	Y. SUZUKI	NTK	NEW DRAWING	OCT-07
FILE NAME	CHECKED	T. NOMURA	NTK	Rev.	Description
CUSTOMER	APPROVED	T. NOMURA	NGK SPARK PLUG CO., LTD.	Date	2003
DWG NO.	UNIT	MM [INCH]	TITLE		
	SCALE	/	M-1 PATTERN		
			DWG NO.		
			P-IPK-862A-3		

PART NO. SHEET OF



SSM P/N CPG06863

NTK

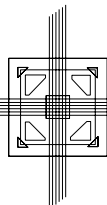


LATEST REVISION'S DESCRIPTION	

Rev.	Description	Date
0	NEW DRAWING	OCT-07-2003

DESCRIPTION	DRAWN	Y. SUZUKI	NTK
FILE NAME	CHECKED	T. NOMURA	NGK SPARK PLUG CO., LTD.
CUSTOMER	APPROVED	T. NOMURA	TITLE
DWG NO.	UNIT	MM [INCH]	P-IPK-944A-02
	SCALE	/	P-IPK-944A-01

PART NO. _____ SHEET OF _____



SPECTRUM
SEMICONDUCTOR MATERIALS, INC.

www.spectrum-semi.com Phone: 408-435-5555 Fax: 408-435-8226