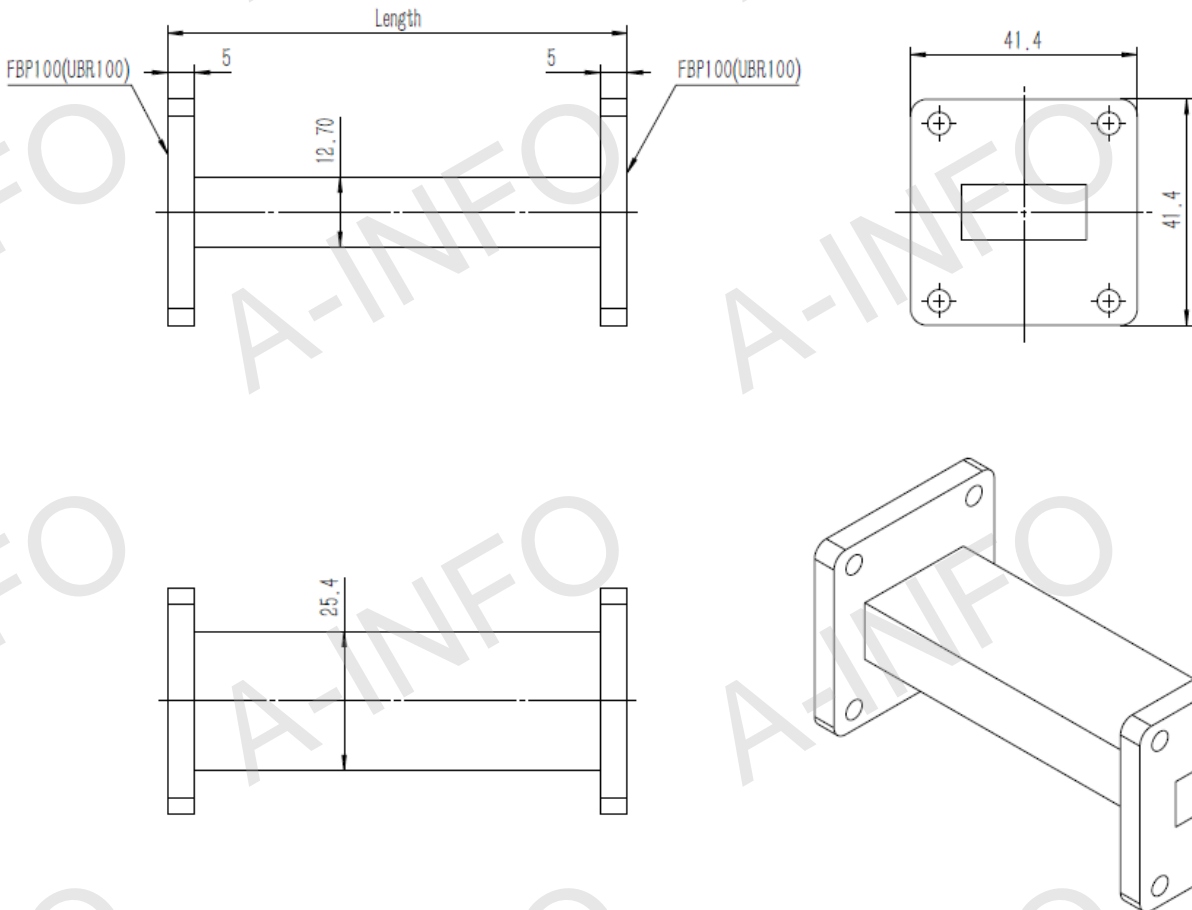


## Technical Specification

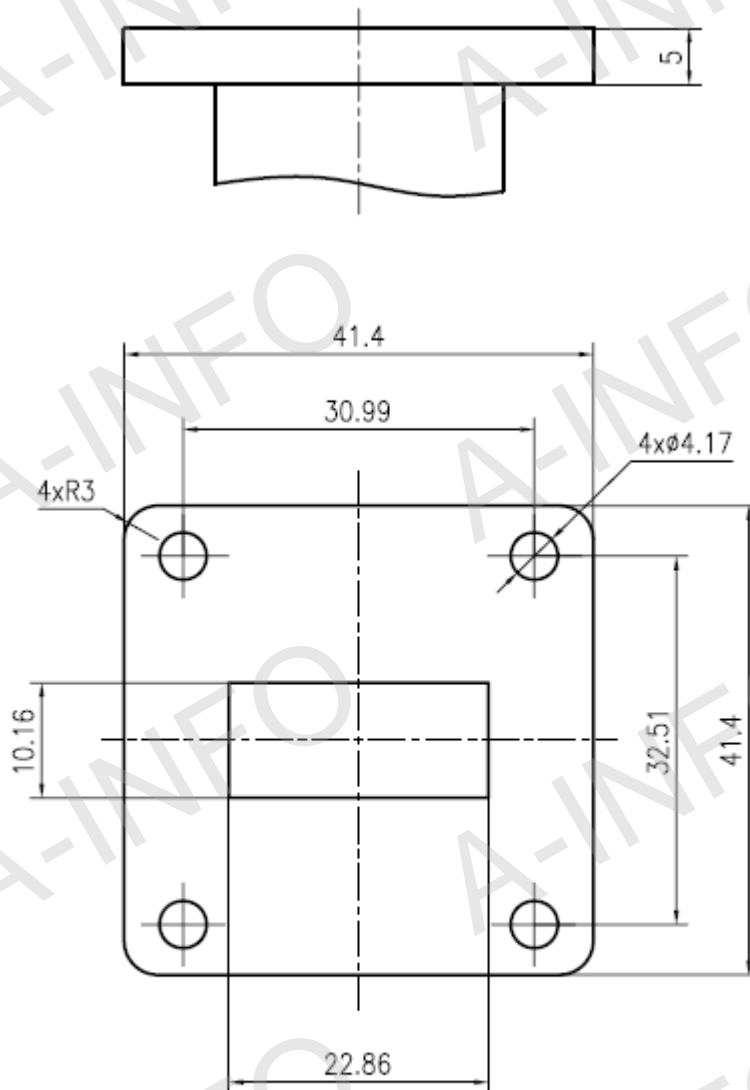


EIA WR	WR90
Frequency Range(GHz)	8.2 – 12.4
Insertion Loss(dB)	0.1 Max.
VSWR	1.05 Max.
Flange	FBP100(UBR100)
Material	Al
Length(mm)	50
Net Weight(Kg)	0.04 Around

## Outline Drawing (Size: mm)



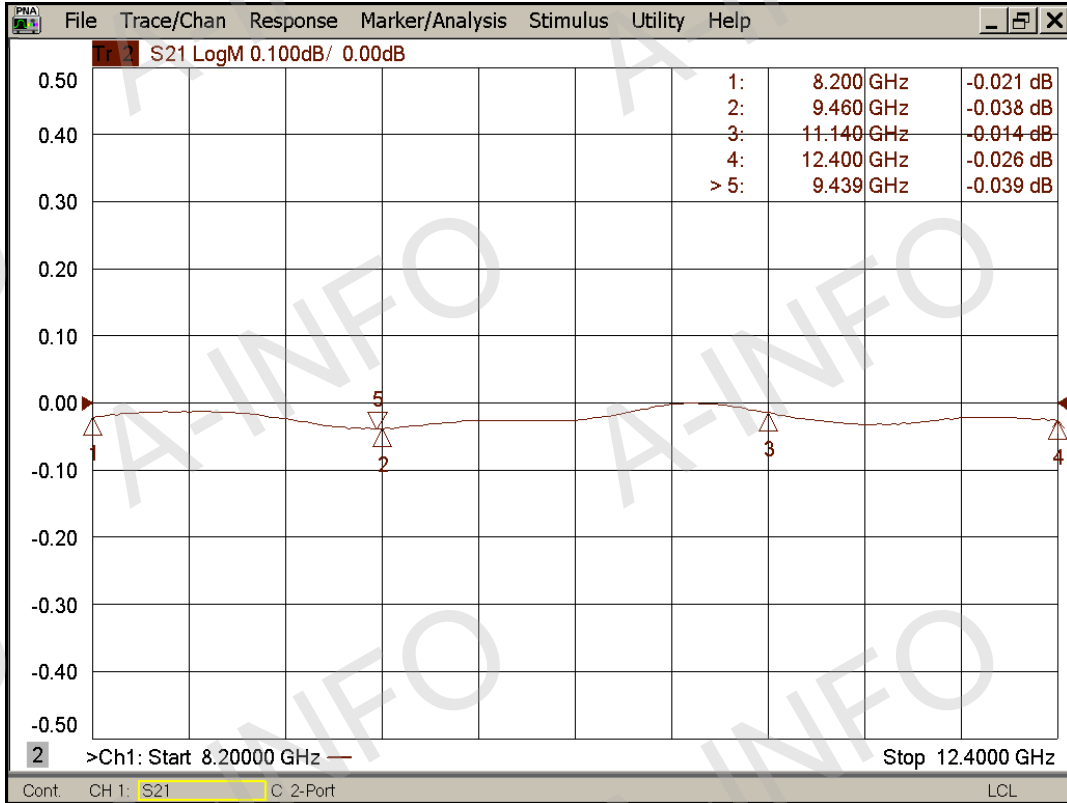
## Flange Drawing (Size: mm)



FBP100

## Test Results

I.L.



VSWR

