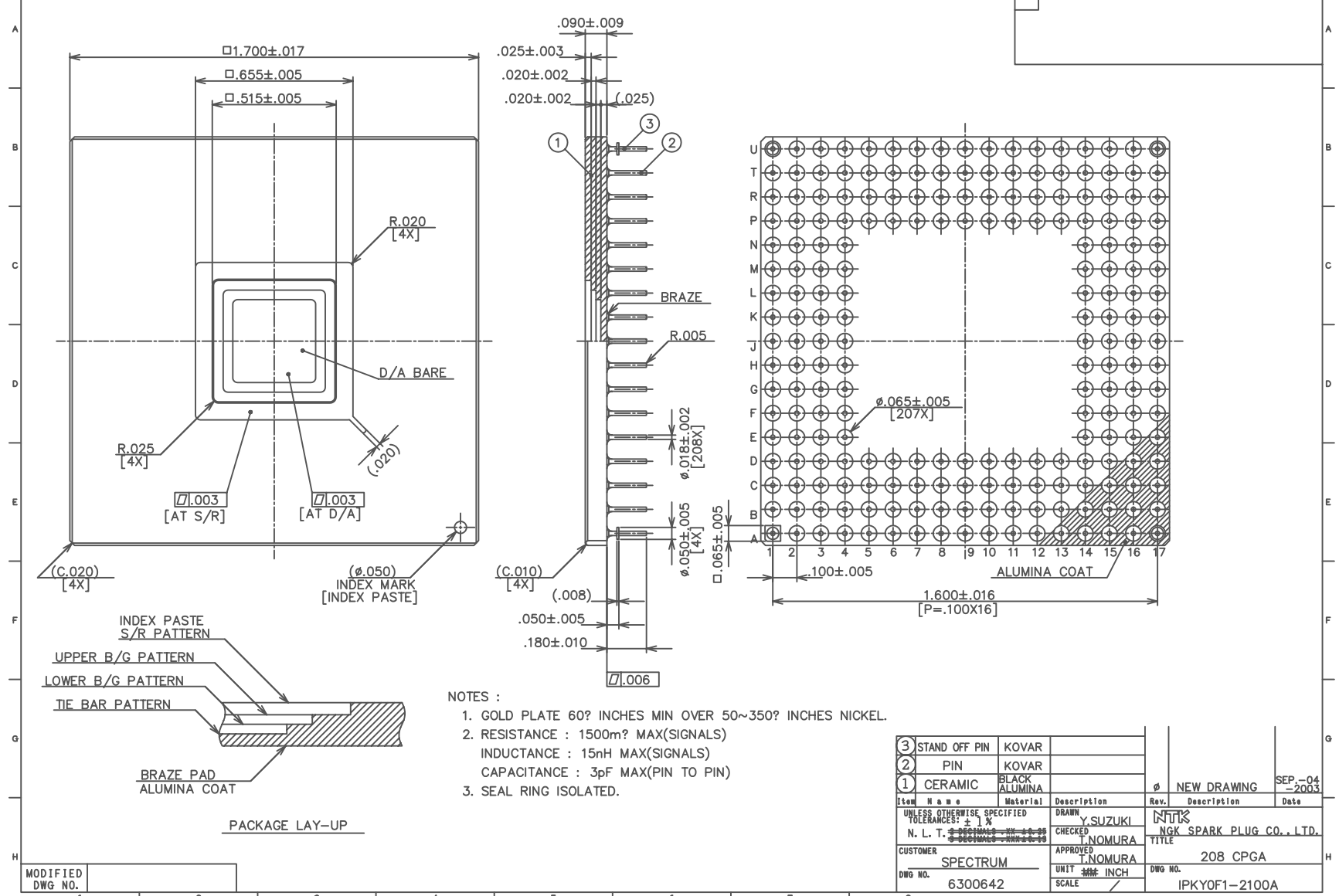


SSM P/N CPG20809

NTK

LATEST REVISION'S DESCRIPTION



- NOTES :
1. GOLD PLATE 60? INCHES MIN OVER 50~350? INCHES NICKEL.
 2. RESISTANCE : 1500m? MAX(SIGNALS)
INDUCTANCE : 15nH MAX(SIGNALS)
CAPACITANCE : 3pF MAX(PIN TO PIN)
 3. SEAL RING ISOLATED.

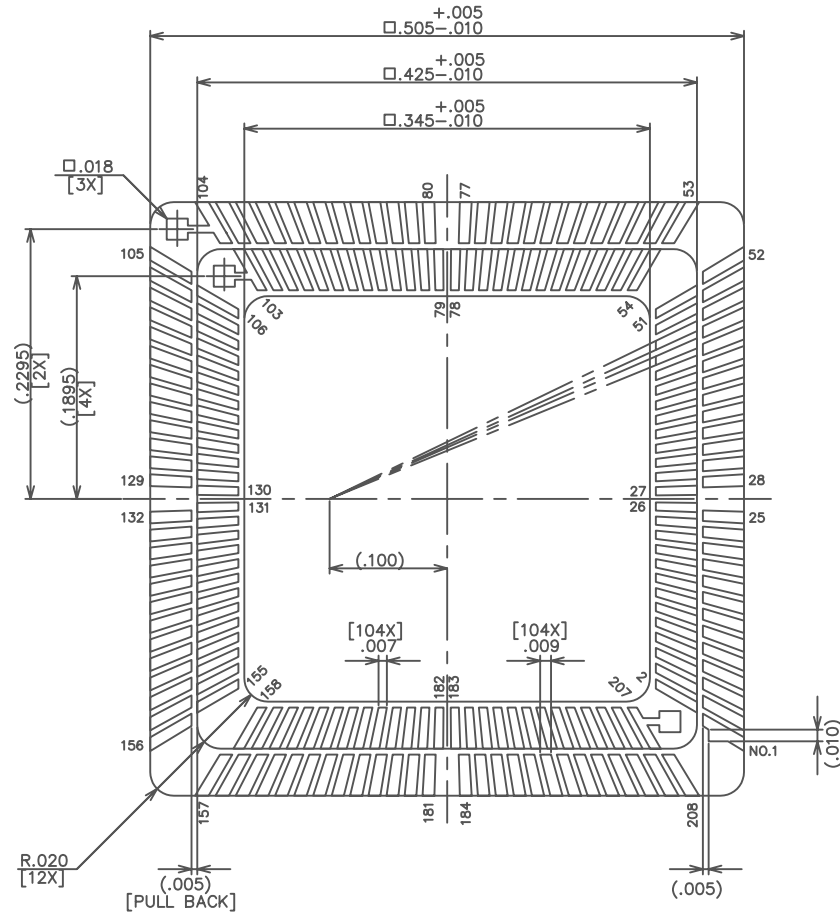
3	STAND OFF PIN	KOVAR			
2	PIN	KOVAR			
1	CERAMIC	BLACK ALUMINA			
Item	Name	Material	Description	Rev.	Description Date
UNLESS OTHERWISE SPECIFIED TOLERANCES: ± 1%					
DRAWN Y.SUZUKI			NEW DRAWING SEP-04-2003		
CHECKED T.NOMURA			NTK		
APPROVED T.NOMURA			TITLE NGK SPARK PLUG CO., LTD.		
CUSTOMER SPECTRUM			UNIT 208 CPGA		
DWG NO. 6300642			SCALE /		
PART NO.			SHEET 1 OF 3		



SSM P/N CPG20809

NTK

LATEST REVISION'S DESCRIPTION



B/G PADS DETAIL

MODIFIED DWG NO. 1

UNLESS OTHERWISE SPECIFIED TOLERANCES: ± 1%		DRAWN	Y. SUZUKI	NTK
N. L. T. XXXXXXXXXXXX		CHECKED	T. NOMURA	NGK SPARK PLUG CO., LTD.
CUSTOMER		APPROVED	T. NOMURA	B/G PADS DETAIL
SPECTRUM		UNIT	MM INCH	DWG NO.
6300642		SCALE	/	IPKY0F1-2100A

Rev.	Description	Date
0	NEW DRAWING	SEP-04-2003

PART NO. SHEET 2 OF 3



SSM P/N CPG20809

NTK

LATEST REVISION'S DESCRIPTION

CONNECTION TABLE

PAD	PIN	PAD	PIN	PAD	PIN	PAD	PIN	PAD	PIN	PAD	PIN
1	B2	36	L3	71	U6	106	P15	141	F16	176	B10
2	D3	37	M2	72	T8	107	T17	142	G14	177	B11
3	B1	38	L4	73	T7	108	N14	143	D17	178	B9
4	E4	39	P1	74	T9	109	R16	144	F15	179	A11
5	C2	40	M3	75	U7	110	N15	145	E16	180	C9
6	E3	41	N2	76	R9	111	R17	146	F14	181	A10
7	C1	42	M4	77	U8	112	M14	147	C17	182	D9
8	F4	43	R1	78	P9	113	P16	148	E15	183	A9
9	D2	44	N3	79	U9	114	M15	149	D16	184	B8
10	F3	45	P2	80	T10	115	P17	150	E14	185	A8
11	D1	46	N4	81	U10	116	L14	151	B17	186	C8
12	G4	47	T1	82	R10	117	N16	152	D15	187	A7
13	E2	48	P3	83	U11	118	L15	153	C16	188	D8
14	G3	49	R2	84	P10	119	N17	154	D14	189	A6
15	E1	50	P4	85	U12	120	K15	155	A17	190	B7
16	H3	51	U1	86	T11	121	M16	156	C15	191	A5
17	F2	52	R3	87	U13	122	K14	157	B16	192	C7
18	H4	53	T2	88	R11	123	M17	158	C14	193	B6
19	F1	54	R4	89	T12	124	K16	159	A16	194	D7
20	H2	55	U2	90	P11	125	L16	160	D13	195	A4
21	G2	56	P5	91	U14	126	J16	161	B15	196	C6
22	J2	57	T3	92	R12	127	L17	162	C13	197	B5
23	G1	58	R5	93	T13	128	J15	163	A15	198	D6
24	J3	59	U3	94	P12	129	K17	164	D12	199	A3
25	H1	60	P6	95	U15	130	J14	165	B14	200	C5
26	J4	61	T4	96	R13	131	J17	166	C12	201	B4
27	J1	62	R6	97	T14	132	H16	167	A14	202	D5
28	K2	63	U4	98	P13	133	H17	168	D11	203	A2
29	K1	64	P7	99	U16	134	H15	169	B13	204	C4
30	K3	65	T5	100	R14	135	G17	170	C11	205	B3
31	L1	66	R7	101	T15	136	H14	171	A13	206	D4
32	K4	67	U5	102	P14	137	F17	172	C10	207	A1
33	M1	68	R8	103	U17	138	G16	173	B12	208	C3
34	L2	69	T6	104	R15	139	E17	174	D10		
35	N1	70	P8	105	T16	140	G15	175	A12		

MODIFIED DWG NO.

UNLESS OTHERWISE SPECIFIED TOLERANCES: ± 1%		DRAWN	Y. SUZUKI	NTK	NEW DRAWING	SEP-04
N. L. T. 3-26-2003 3-26-2003 3-26-2003		CHECKED	T. NOMURA	NTK	Description	Date
CUSTOMER	SPECTRUM	APPROVED	T. NOMURA	NGK SPARK PLUG CO., LTD.		
DWG NO.	6300642	UNIT	MM INCH	TITLE	CONNECTION TABLE	
		SCALE	/	DWG NO.	IPKYOF1-2100A	

PART NO. SHEET 3 OF 3

